

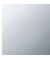
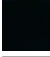



EDITION PRO Single-lever bidet mixer with pop-up waste - Chrome

33 600 626



- 125mm projection
- european pop-up waste
- ball-joint pivotable through 15° (in any direction)
- circular, air-enriched flow
- height of mixer 130 mm
- height up to aerator 70 mm
- hole diameter 35 mm
- 2x screw-in M 10 x 1 pressure hose, leak-tested
- 2x European pressure hose for bidet fitting
- max. flow 7 l/min

| | | |
|---|----------------|---------------|
|  | Chrome | 33 600 626-00 |
|  | Matte Black | 33 600 626-33 |
|  | Brushed Chrome | 33 600 626-93 |

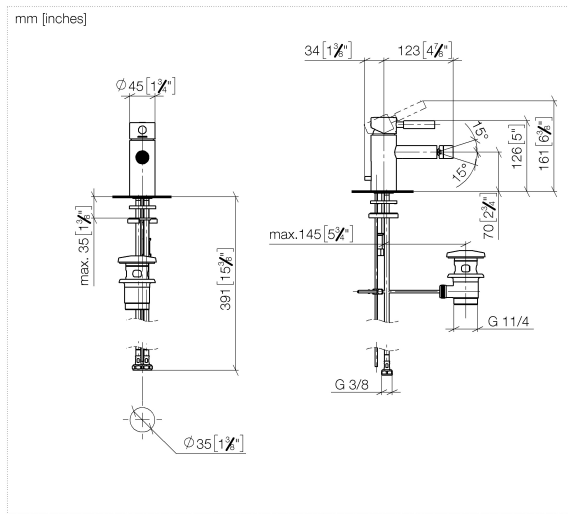
Required miscellaneous



Basin Waste US 1 1/4" - Chrome 04 11 01 023
00-00

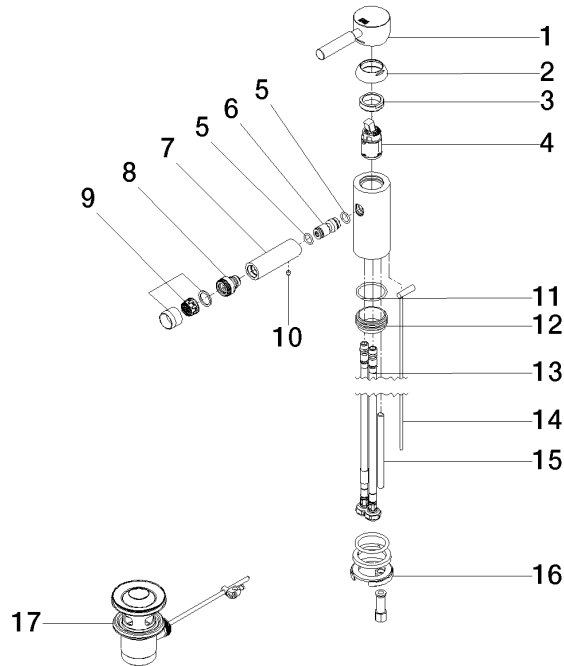
EDITION PRO Single-lever bidet mixer with pop-up waste - Chrome

33 600 626



EDITION PRO Single-lever bidet mixer with pop-up waste - Chrome

33 600 626



Spare parts list

| No. | Item Number | Name | Quantity used | Delivery time |
|-----|--------------------|--------------|---------------|---------------|
| 1 | 90 20 62 046 00-00 | handle | 1 | 10 |
| 2 | 09 28 30 008-00 | cover | 1 | 10 |
| 3 | 09 24 04 130-07 | nut | 1 | 30 |
| 4 | 90 15 05 041 00 90 | cartridge | 1 | 2 |
| 5 | 09 14 10 003 90 | seal | 2 | 2 |
| 6 | 09 24 04 025 10 90 | nipple | 1 | 2 |
| 7 | 09 11 06 086 20-00 | spout | 1 | 10 |
| 8 | 04 21 40 007 00-00 | joint | 1 | 10 |
| 9 | 90 23 01 119 02-00 | aerator | 1 | 10 |
| 10 | 90 31 11 030 00 90 | pin | 2 | 2 |
| 11 | 09 14 10 119 90 | seal | 1 | 2 |
| 12 | 09 28 10 109-07 | ring | 1 | 30 |
| 13 | 04 30 04 104 00 90 | hose | 2 | 2 |
| 14 | 04 20 62 030 80-00 | pull-rod | 1 | 10 |
| 15 | 09 31 11 012 90 | pin | 1 | 2 |
| 16 | 04 30 11 085 88 90 | fixing set | 1 | 2 |
| 17 | 90 11 01 001 00-00 | pop-up waste | 1 | 10 |